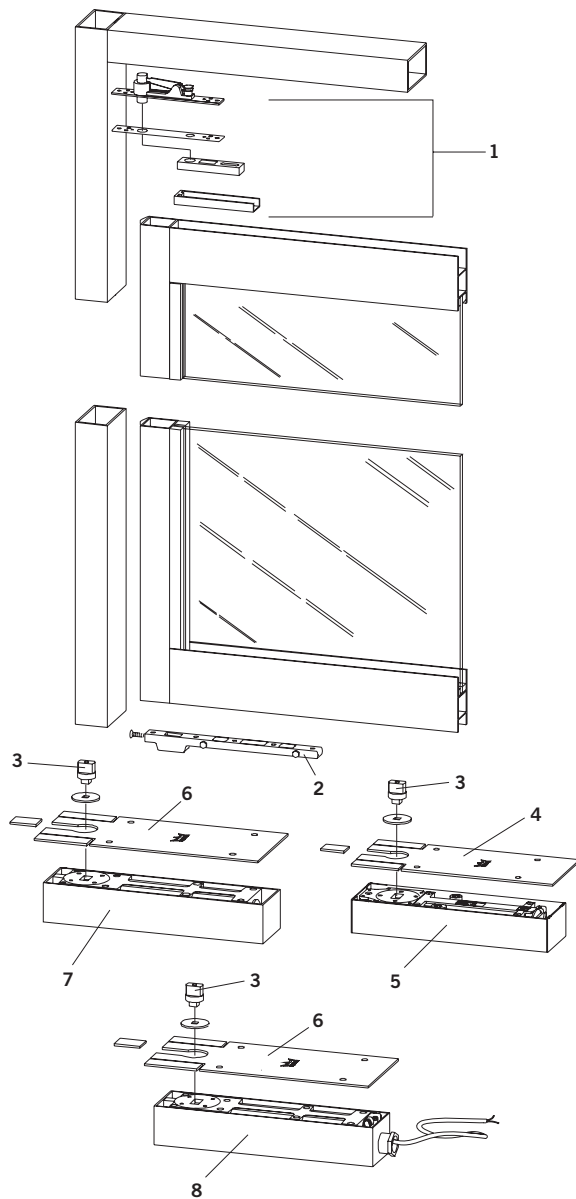




Applications and
Accessories

DORMA BTS

Aluminum Door & Frame Center Hung - Double or Single Acting



BTS 75V Packages

Components: BTS 75V/A - Center Hung, Double-Acting

1. No. 8062 Top Pivot
2. No. 7422 Bottom Arm
3. No. 74010 Spindle
4. No. 7510 Cover Plate
5. BTS 75V Closer and Cement Case

Components: BTS 75V/G - Center Hung, Single-Acting

1. No. 8062 Top Pivot
2. No. 7422 Bottom Arm
3. No. 80010 Spindle
4. No. 7510 Cover Plate
5. BTS 75V Closer and Cement Case

BTS 80 Packages

Components: BTS 80/A - Center Hung, Double-Acting

1. No. 8062 Top Pivot
2. No. 7422 Bottom Arm
3. No. 74010 Spindle
6. No. 7410 Cover Plate
7. BTS 80 Closer and Cement Case

Components: BTS 80/G - Center Hung, Single-Acting

1. No. 8062 Top Pivot
2. No. 7422 Bottom Arm
3. No. 80010 Spindle
6. No. 7410 Cover Plate
7. BTS 80 Closer and Cement Case

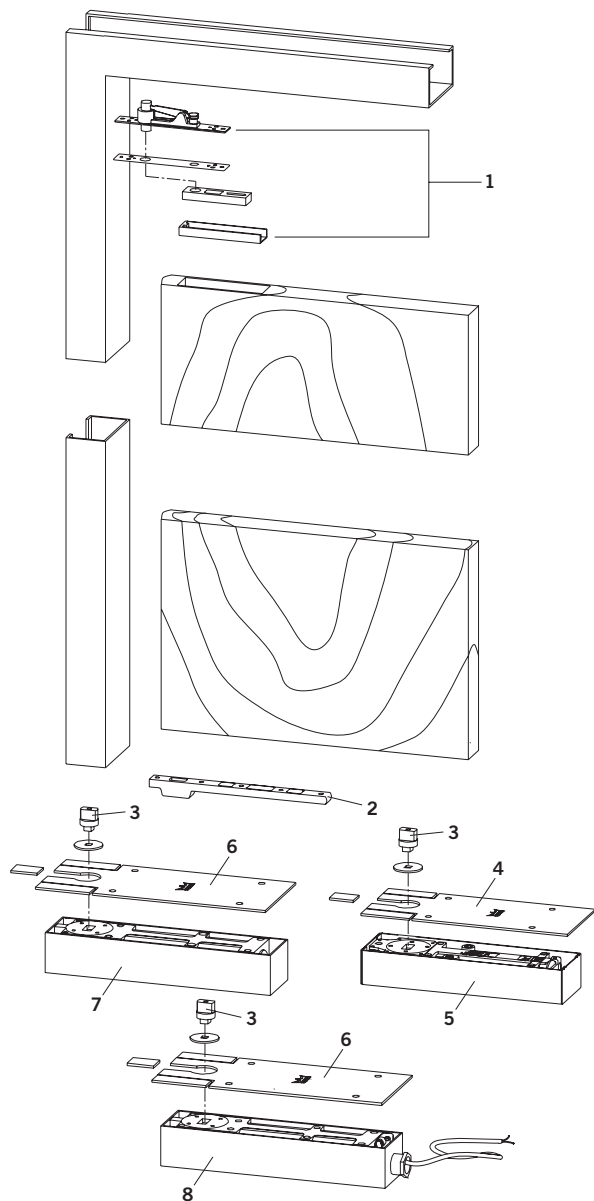
BTS 80 EMB Package

Components: BTS 80 EMB/G - Center Hung, Single-Acting

1. No. 8062 Top Pivot
2. No. 7422 Bottom Arm
3. No. 80010 Spindle
6. No. 7410 Cover Plate
8. BTS 80 EMB Closer and Cement Case

Specify hand for G packages.

Wood or Steel Door & Frame Center Hung - Double or Single Acting



BTS 75V Packages

Components: BTS 75V/B - Center Hung, Double-Acting

1. No. 8062 Top Pivot
2. No. 7421 Bottom Arm
3. No. 74010 Spindle
4. No. 7510 Cover Plate
5. BTS 75V Closer and Cement Case

Components: BTS 75V/H - Center Hung, Single-Acting

1. No. 8062 Top Pivot
2. No. 7421 Bottom Arm
3. No. 80010 Spindle
4. No. 7510 Cover Plate
5. BTS 75V Closer and Cement Case

BTS 80 Packages

Components: BTS 80/B - Center Hung, Double-Acting

1. No. 8062 Top Pivot
2. No. 7421 Bottom Arm
3. No. 74010 Spindle
6. No. 7410 Cover Plate
7. BTS 80 Closer and Cement Case

Components: BTS 80/H - Center Hung, Single-Acting

1. No. 8062 Top Pivot
2. No. 7421 Bottom Arm
3. No. 80010 Spindle
6. No. 7410 Cover Plate
7. BTS 80 Closer and Cement Case

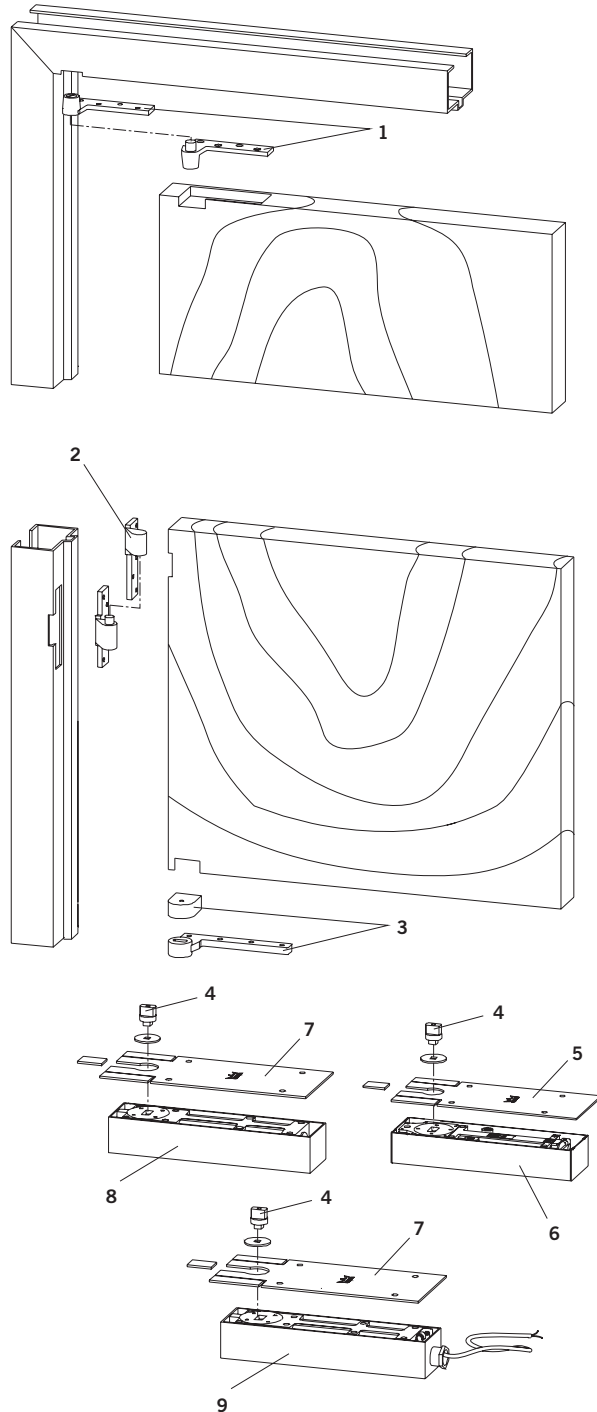
BTS 80 EMB Package

Components: BTS 80 EMB/H - Center Hung, Single-Acting

1. No. 8062 Top Pivot
2. No. 7421 Bottom Arm
3. No. 80010 Spindle
6. No. 7410 Cover Plate
8. BTS 80 EMB Closer and Cement Case

Specify hand for H packages.

3/4" Offset Hung - Single Acting



NFPA 80 requires that labeled fire doors up to 60" in height be provided with 2 pivots and an additional pivot for each 30" of door height or fraction thereof. The same recommendation applies to non-labeled doors. Distance between pivots may exceed 30" on non-labeled doors.

BTS 75V Packages

Components: BTS 75V/D - 3/4" Offset, Standard

1. No. 75120 Top Pivot
2. No. 75220 Intermediate Pivot (optional)
3. No. 75323 Bottom Arm
4. No. 74010 Spindle
5. No. 7510 Cover Plate
6. BTS 75V Closer and Cement Case

Components: BTS 75V/E - 3/4" Offset, 20-Minute Rated

1. No. 75122 Top Pivot
2. No. 75222 Intermediate Pivot (optional)
3. No. 75323 Bottom Arm
4. No. 74010 Spindle
5. No. 7510 Cover Plate
6. BTS 75V NHO Closer and Cement Case

Components: BTS 75V/F -

3/4" Offset, Up To Three-Hour Rated

1. No. 75133 Top Pivot
2. No. 75233 Intermediate Pivot (optional)
3. No. 75323 Bottom Arm
4. No. 74010 Spindle
5. No. 7510 Cover Plate
6. BTS 75V NHO Closer and Cement Case

BTS 80 Packages

Components: BTS 80/D - 3/4" Offset, Standard

1. No. 75120 Top Pivot
2. No. 75220 Intermediate Pivot (optional)
3. No. 75323 Bottom Arm
4. No. 74010 Spindle
7. No. 7410 Cover Plate
8. BTS 80 Closer and Cement Case

Components: BTS 80/E - 3/4" Offset, 20-Minute Rated

1. No. 75122 Top Pivot
2. No. 75222 Intermediate Pivot (optional)
3. No. 75323 Bottom Arm
4. No. 74010 Spindle
7. No. 7410 Cover Plate
8. BTS 80F Closer and Cement Case

Components: BTS 80/F -

3/4" Offset, Up To Three-Hour Rated

1. No. 75133 Top Pivot
2. No. 75233 Intermediate Pivot (optional)
3. No. 75323 Bottom Arm
4. No. 74010 Spindle
7. No. 7410 Cover Plate
8. BTS 80F Closer and Cement Case

BTS 80 EMB Packages

Components: BTS 80 EMB/D - 3/4" Offset, Standard

1. No. 75120 Top Pivot
2. No. 75220 Intermediate Pivot (optional)
3. No. 75323 Bottom Arm
4. No. 74010 Spindle
7. No. 7410 Cover Plate
9. BTS 80 EMB Closer and Cement Case

Components: BTS 80 EMB/E - 3/4" Offset, 20-Minute Rated

1. No. 75122 Top Pivot
2. No. 75222 Intermediate Pivot (optional)
3. No. 75323 Bottom Arm
4. No. 74010 Spindle
7. No. 7410 Cover Plate
9. BTS 80 EMB Closer and Cement Case

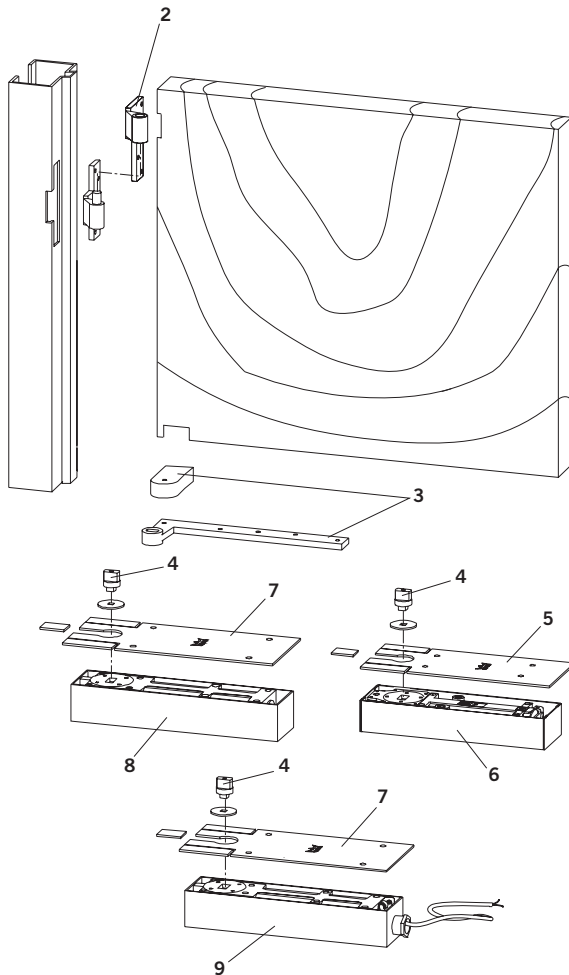
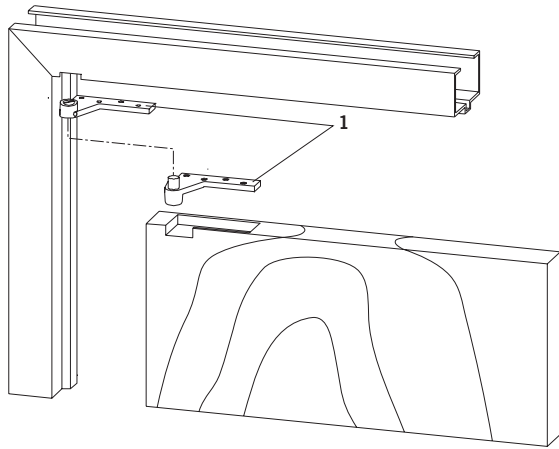
Components: BTS 80 EMB/F -

3/4" Offset, Up To Three-Hour Rated

1. No. 75133 Top Pivot
2. No. 75233 Intermediate Pivot (optional)
3. No. 75323 Bottom Arm
4. No. 74010 Spindle
7. No. 7410 Cover Plate
9. BTS 80 EMB Closer and Cement Case

Specify hand for D, E, and F packages.

1-1/2" Offset Hung - Single Acting



BTS 75V Package

Components: BTS 75V/C -

1-1/2" Offset

1. No. 15120 Top Pivot
2. No. 15220 Intermediate Pivot (optional)
3. No. 15323 Bottom Arm
4. No. 74010 Spindle
5. No. 7510 Cover Plate
6. BTS 75V Closer and Cement Case

BTS 80 Package

Components: BTS 80/C -

1-1/2" Offset

1. No. 15120 Top Pivot
2. No. 15220 Intermediate Pivot (optional)
3. No. 15323 Bottom Arm
4. No. 74010 Spindle
7. No. 7410 Cover Plate
8. BTS 80 Closer and Cement Case

BTS 80 EMB Package

Components: BTS 80 EMB/C -

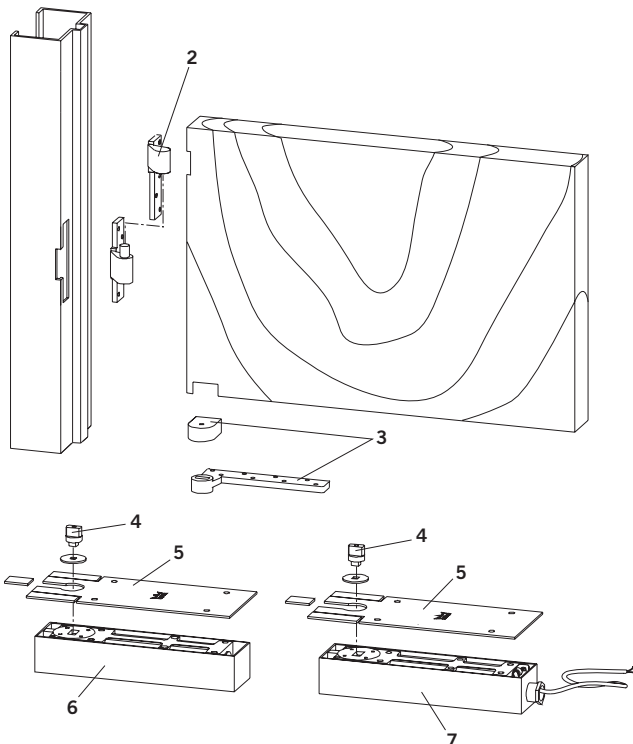
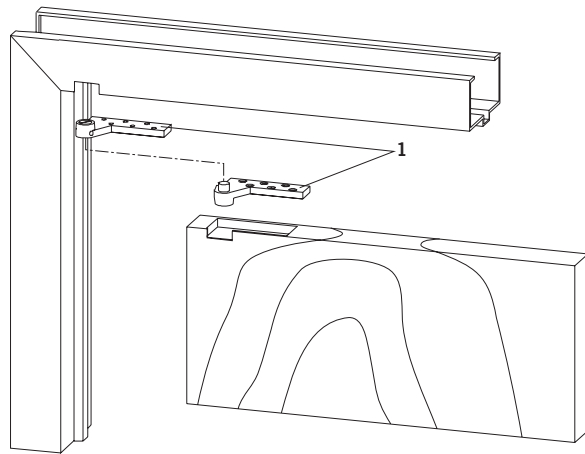
1-1/2" Offset

1. No. 15120 Top Pivot
2. No. 15220 Intermediate Pivot (optional)
3. No. 15323 Bottom Arm
4. No. 74010 Spindle
7. No. 7410 Cover Plate
9. BTS 80 EMB Closer and Cement Case

It is recommended that doors up to 60" in height be provided with two pivots and an additional pivot for each 30" of door height or fraction thereof. Distance between pivots may exceed 30" on non-labeled doors.

Specify hand for C packages.

Lead-Lined Door 3/4" Offset Hung - Single Acting



BTS 80 Package

Components: BTS 80/L - 3/4" Offset Lead-Lined

1. No. 75140 Top Pivot
2. No. 75240 Intermediate Pivot (optional)
3. No. 75343 Bottom Arm
4. No. 74010 Spindle
5. No. 7410 Cover Plate
6. BTS 80 Closer and Cement Case

BTS 80 EMB Package

Components: BTS 80 EMB/L - 3/4" Offset Lead-Lined

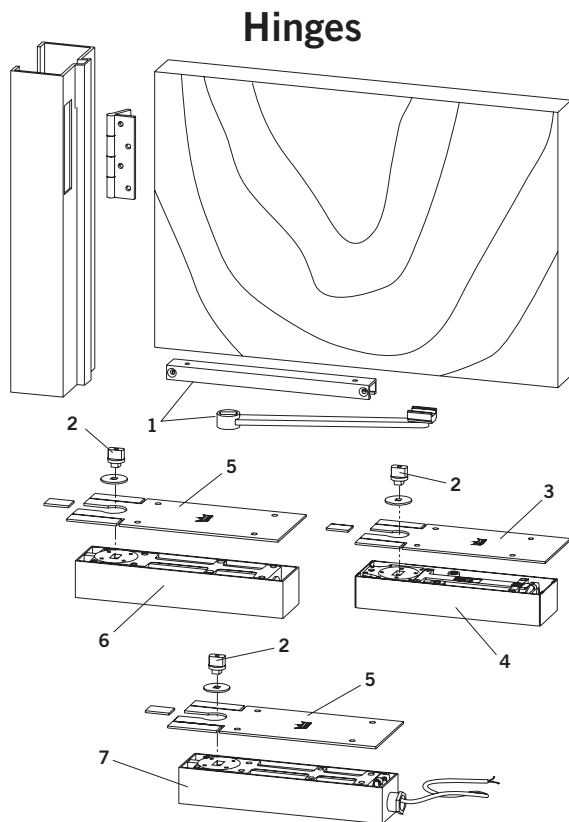
1. No. 75140 Top Pivot
2. No. 75240 Intermediate Pivot (optional)
3. No. 75343 Bottom Arm
4. No. 74010 Spindle
5. No. 7410 Cover Plate
7. BTS 80 EMB Closer and Cement Case

It is recommended that doors up to 60" in height shall be provided with two pivots and an additional pivot for each 30" of door height or fraction thereof. Distance between pivots may exceed 30" on non-labeled doors.

Specify hand for L packages.

Independently Hung Doors

Packages have been developed for use with 4-1/2" wide butt hinges. Applications using alternate hanging means should be submitted to DORMA's Technical Services Department for review and recommendation.



- I packages mortise the track in the bottom of the door.
- I packages can be installed on the push or pull side of an opening.
- IF packages surface apply the track to the face of the door.

BTS 75V Packages

Components: BTS 75V/I -

1. No. 7451N Slide Arm Assembly
2. No. 74003 Spindle
3. No. 7510 Cover Plate
4. BTS 75V Closer and Cement Case

Components: BTS 75V/IF -

- 3 Hour Rated Steel
- 1-1/2 Hour Rated Wood
1. No. 7451N Slide Arm Assembly
2. No. 74003 Spindle
3. No. 7510 Cover Plate
4. BTS 75V NHO Closer and Cement Case

BTS 80 Packages

Components: BTS 80/I -

1. No. 7451N Slide Arm Assembly
2. No. 74003 Spindle
5. No. 7410 Cover Plate
6. BTS 80 Closer and Cement Case

Components: BTS 80/IF -

- 3 Hour Rated Steel
- 1-1/2 Hour Rated Wood
1. No. 7451N Slide Arm Assembly
2. No. 74003 Spindle
5. No. 7410 Cover Plate
6. BTS 80F Closer and Cement Case

BTS 80 EMB Packages

Components: BTS 80 EMB/I -

1. No. 7451N Slide Arm Assembly
2. No. 74003 Spindle
5. No. 7410 Cover Plate
7. BTS 80 EMB Closer and Cement Case

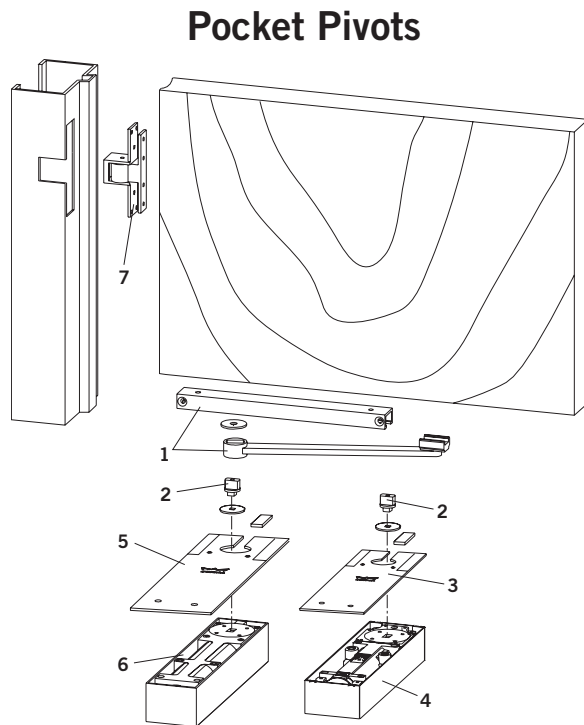
Components: BTS 80 EMB/IF -

1. No. 7451N Slide Arm Assembly
2. No. 74003 Spindle
5. No. 7410 Cover Plate
7. BTS 80 EMB Closer and Cement Case

Specify hand for EMB/I and EMB/IF packages.

Independently Hung Doors

Packages have been developed for use with pocket pivots. Applications using alternate hanging means should be submitted to DORMA's Technical Services Department for review and recommendation.



BTS 75V Packages

Components: BTS 75V/P -

1. No. 7451N Slide Arm Assembly
2. No. 74003 Spindle
3. No. 7510 Cover Plate
4. BTS 75V Closer and Cement Case
7. 75520 Pocket Pivot

Components: BTS 75V/PF -

- 3 Hour Rated Steel
20-Minute Rated Wood
1. No. 7451N Slide Arm Assembly
 2. No. 74003 Spindle
 3. No. 7510 Cover Plate
 4. BTS 75V NHO Closer and Cement Case
 7. 75523 Pocket Pivot

BTS 80 Packages

Components: BTS 80/P -

1. No. 7451N Slide Arm Assembly
2. No. 74003 Spindle
5. No. 7410 Cover Plate
6. BTS 80 Closer and Cement Case
7. 75520 Pocket Pivot

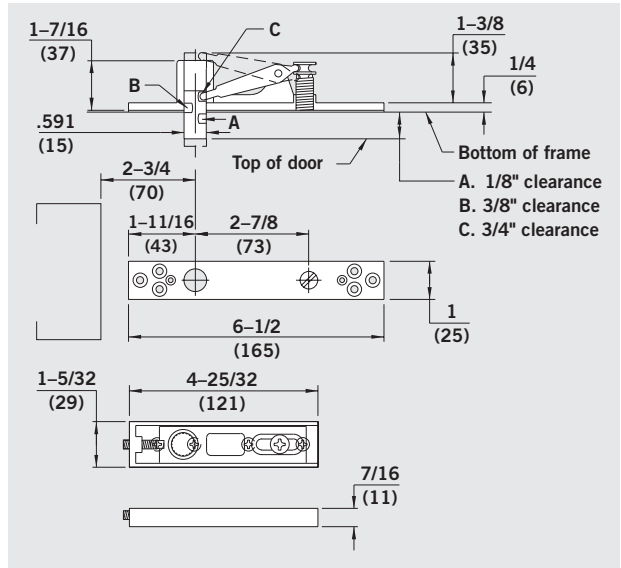
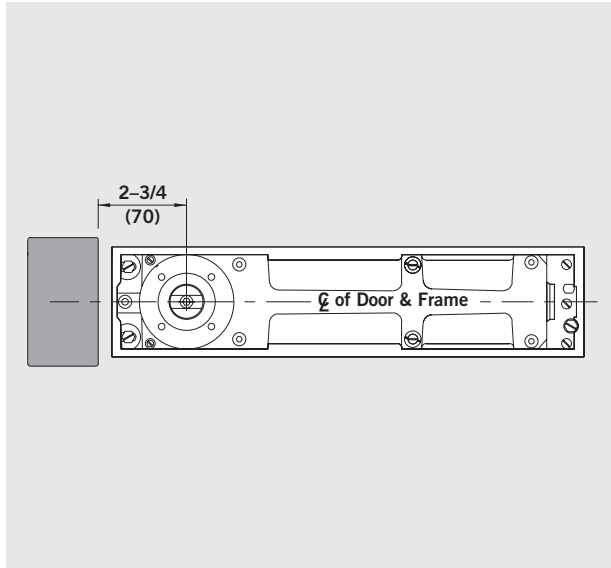
Components: BTS 80/PF -

- 3 Hour Rated Steel
20-Minute Rated Wood
1. No. 7451N Slide Arm Assembly
 2. No. 74003 Spindle
 5. No. 7410 Cover Plate
 6. BTS 80F Closer and Cement Case
 7. 75523 Pocket Pivot

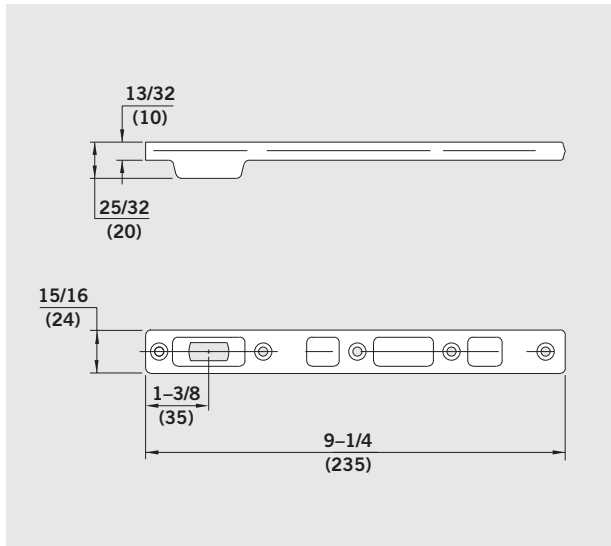
- P packages mortise the track in the bottom of the door.
- PF packages surface apply the track to the face of the door.
- P and PF packages have three pocket pivots for doors up to 7'-6" tall. Taller doors should use an additional pivot for every 30" of door height or fraction thereof.

Specify hand for P and PF packages.

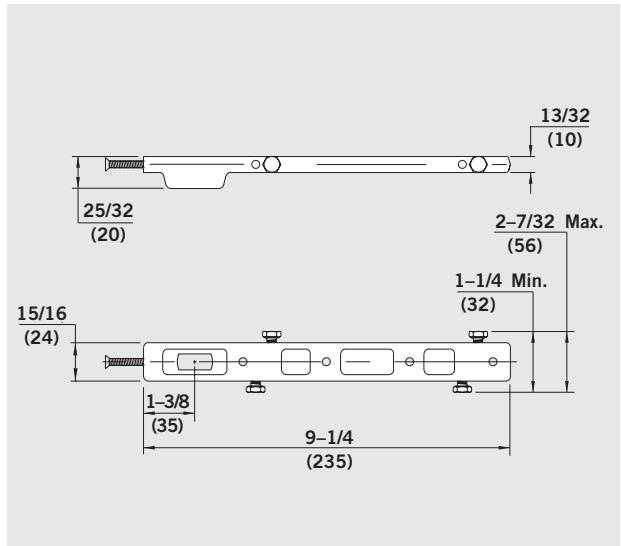
Accessories for Center Hung Installations



No. 8062 — Walking beam top pivot with cover plate. Adjustable to obtain top door clearances of 1/8", 3/8" or 3/4". Optional extended pin available for clearances of 3/4", 1" or 1-5/16".

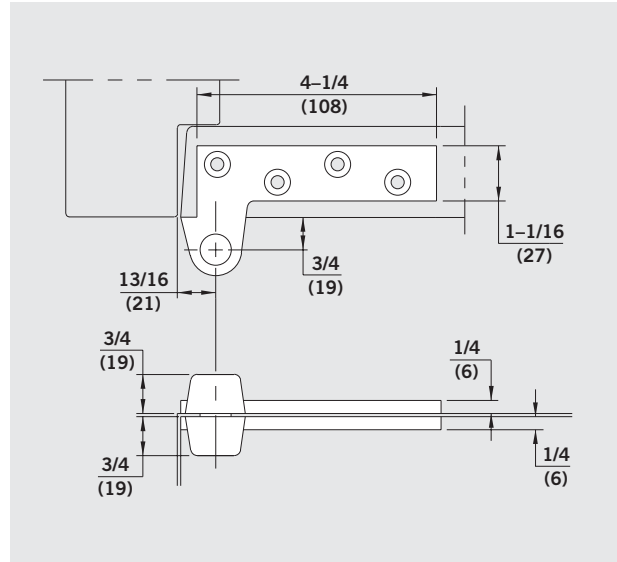
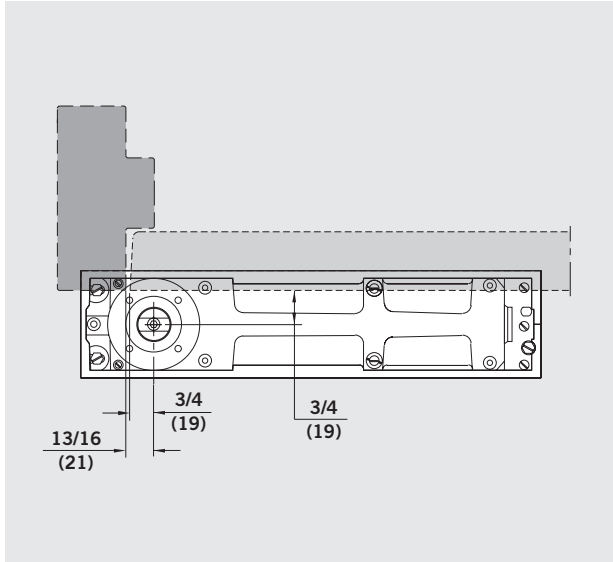


No. 7421 — Center hung bottom arm for steel or wood doors.



No. 7422 — Center hung bottom arm for aluminum doors.

Accessories for 3/4" Offset Installations



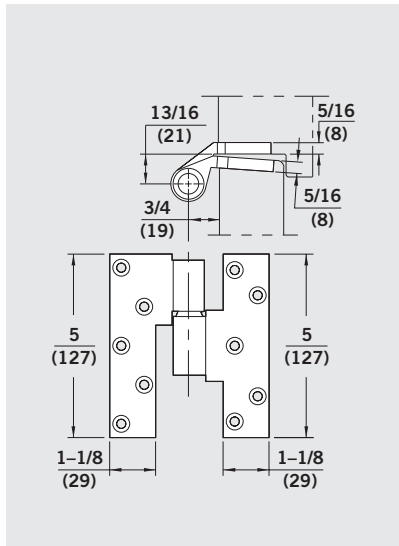
No. 75120 — 3/4" offset brass top pivot.

No. 75122 — 3/4" offset brass top pivot.

U.L. listed for 20-minute rated fire doors.

No. 75133 — 3/4" offset steel top pivot.

For use on fire doors rated up to three hours.

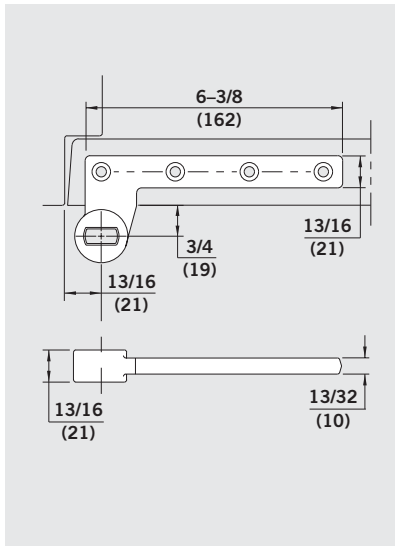


No. 75220 — 3/4" offset standard-duty brass intermediate pivot.

No. 75222 — 3/4" offset standard-duty brass intermediate pivot. U.L. listed for 20-minute rated fire doors.

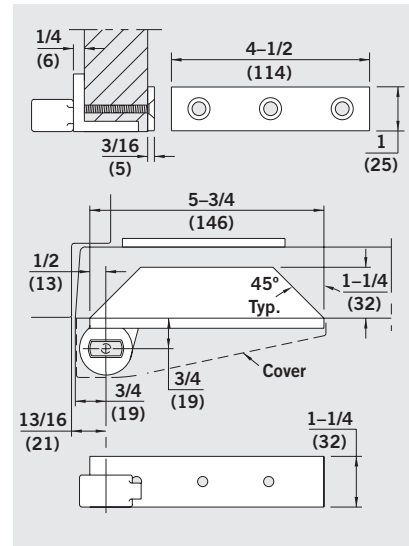
No. 75233 — 3/4" offset heavy-duty steel intermediate pivot. For use on fire doors rated up to three hours.

(Specify Hand)



No. 75323 — 3/4" offset standard-duty steel bottom arm. Can also be used on fire doors rated up to three hours.

(Specify Hand)

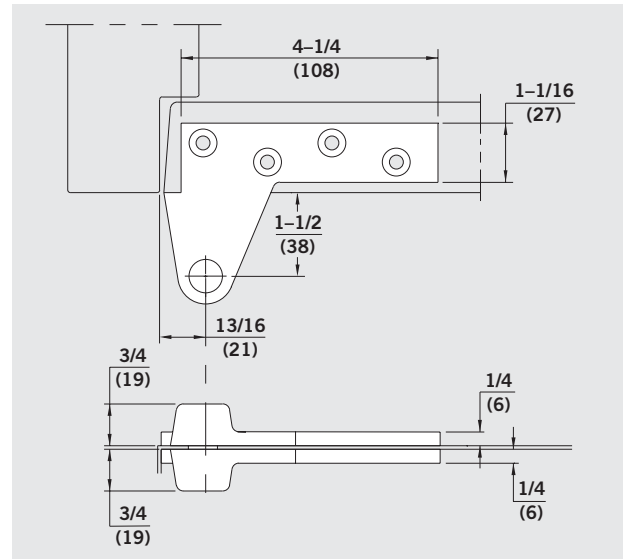
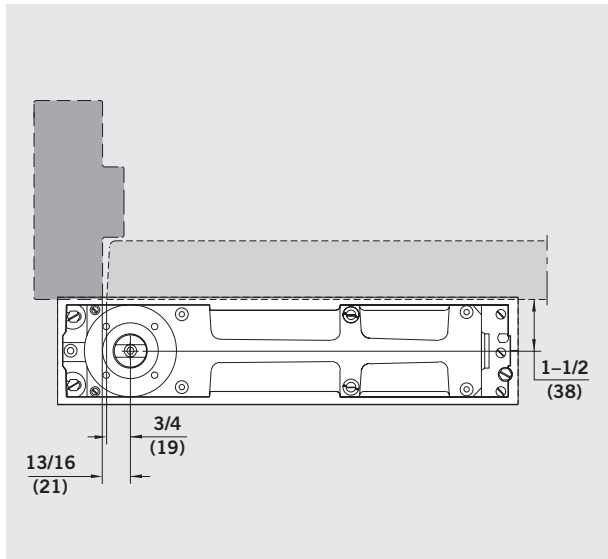


No. 75353 — 3/4" offset steel bottom arm.

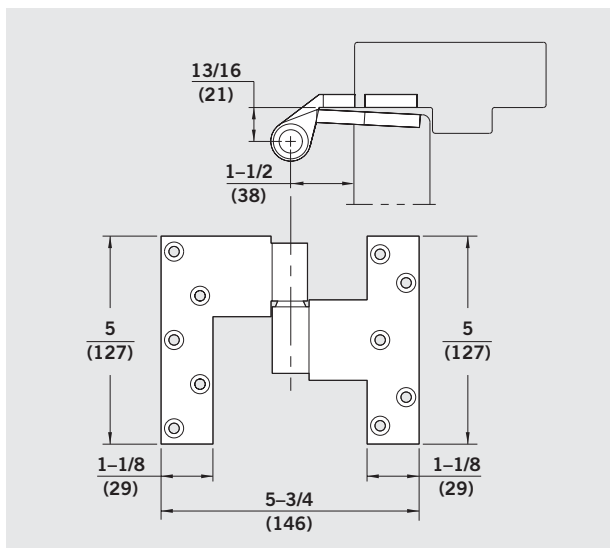
Closer is removable without removing door. Intermediate pivots are required when using this arm.

(Specify Hand)

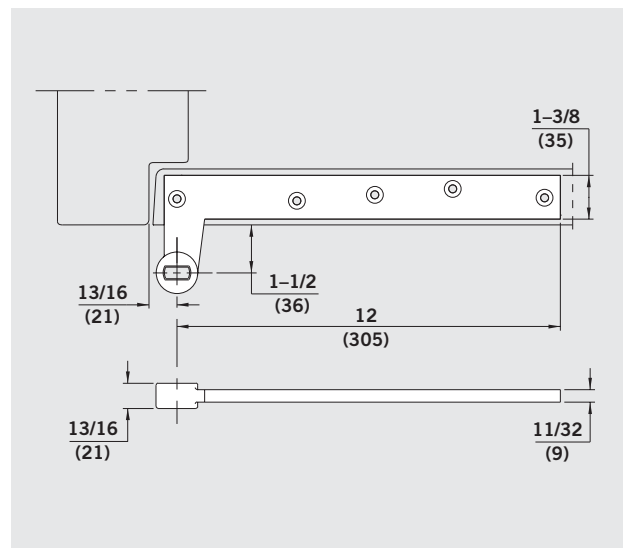
Accessories for 1-1/2" Offset Installations



No. 15120 — 1-1/2" offset brass top pivot.

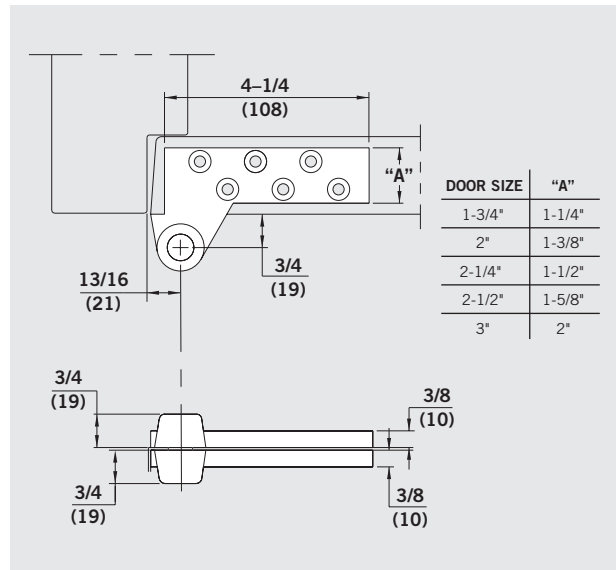
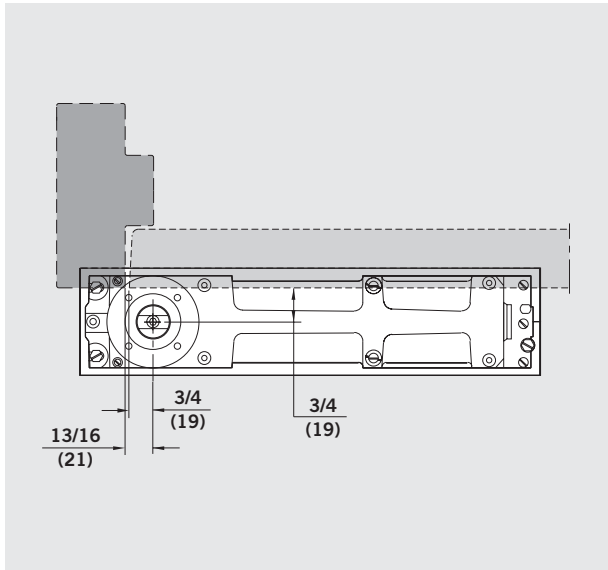


No. 15220 — 1-1/2" offset brass intermediate pivot.
(Specify Hand)



No. 15323 — 1-1/2" offset steel bottom arm.
(Specify Hand)

Accessories for 3/4" Offset Lead-Lined Installations



No. 75140 — 3/4" offset brass top pivot for lead-lined doors 1-3/4" thick.

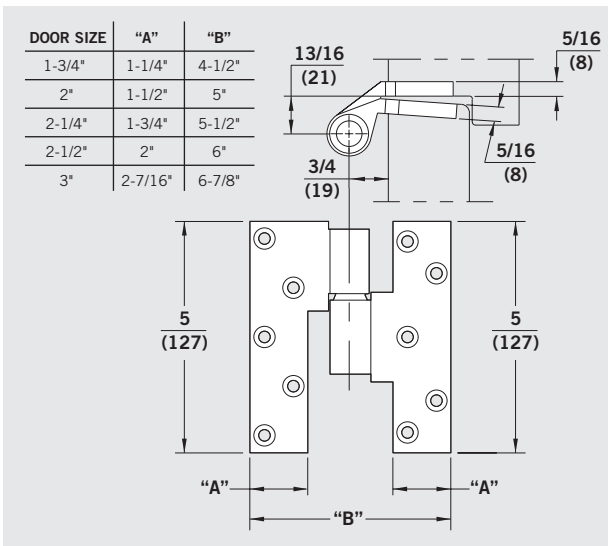
Note: For doors 2" to 3" thick specify as follows:

No. 75140-2 — For use on doors 2" thick.

No. 75140-2-1/4 — For use on doors 2-1/4" thick.

No. 75140-2-1/2 — For use on doors 2-1/2" thick.

No. 75140-3 — For use on doors 3" thick.



No. 75240 — 3/4" offset brass intermediate pivot for lead-lined doors 1-3/4" thick.

Note: For doors 2" to 3" thick specify as follows:

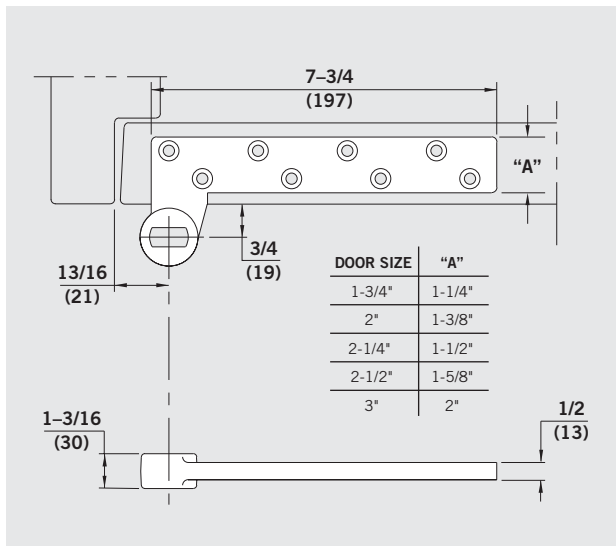
No. 75240-2 — For use on doors 2" thick.

No. 75240-2-1/4 — For use on doors 2-1/4" thick.

No. 75240-2-1/2 — For use on doors 2-1/2" thick.

No. 75240-3 — For use on doors 3" thick.

(Specify Hand)



No. 75343 — 3/4" offset steel bottom arm for lead-lined 1-3/4" doors.

Note: For doors 2" to 3" thick specify as follows:

No. 75343-2 — For use on doors 2" thick.

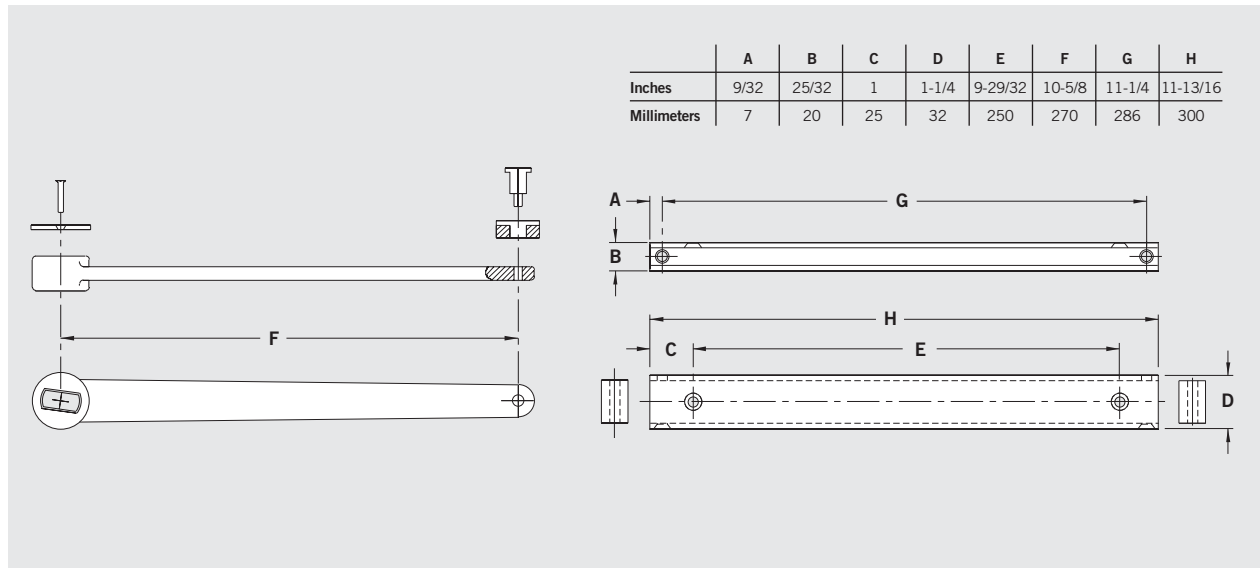
No. 75343-2-1/4 — For use on doors 2-1/4" thick.

No. 75343-2-1/2 — For use on doors 2-1/2" thick.

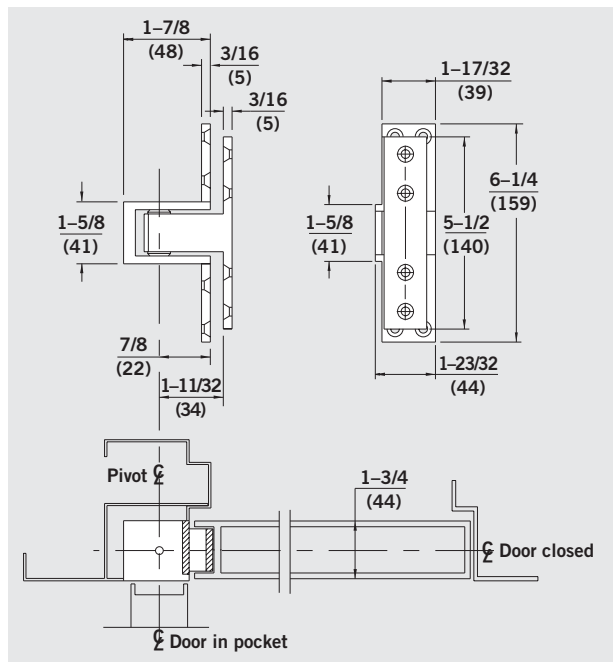
No. 75343-3 — For use on doors 3" thick.

(Specify Hand)

Accessories for Independently Hung Installations



No. 7451N Slide Arm and Channel — Drop forged steel with nylon slide block, cover washer, and anodized aluminum channel.



No. 75520 — Brass pocket pivot. For 90° pocket doors.

No. 75523 — Steel pocket pivot for 90° pocket doors.

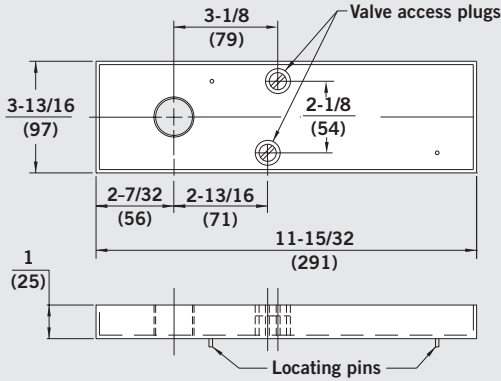
U.L. listed for 20 minute wood doors and 3 hour rated steel fire doors.

(Specify Hand)

Terrazzo Pan

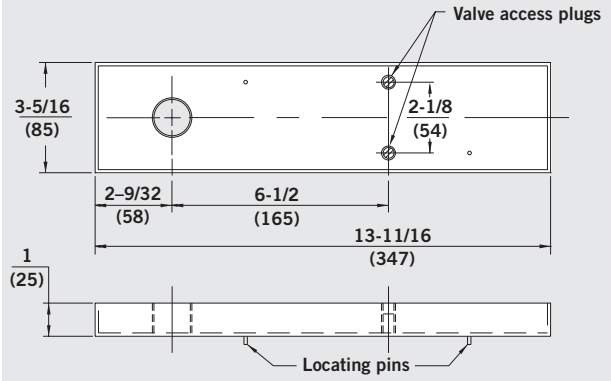
BTS 75V Series

- **TP 75V CH** for center hung applications (shown).
- **TP 75V RH** or **LH** for 3/4" offset applications (specify hand).



BTS 80/BTS 80 EMB Series

- **TP 80 CH** for center hung applications (shown).
- **TP 80 RH** or **LH** for 3/4" offset applications (specify hand).



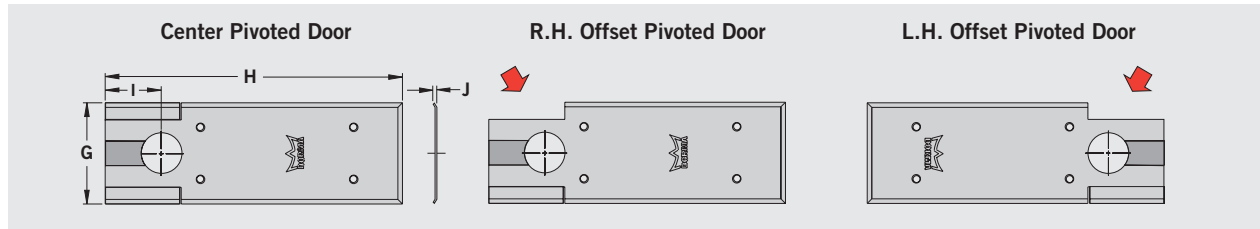
Made from stainless steel and used in lieu of standard floor plate. Offers uninterrupted appearance with terrazzo or marble. Shims are included to allow easy removal of pan after initial installation.

Note: When calculating the spindle size to be used with a terrazzo pan application, add 1" to the desired clearance between the door and the finished floor.

Cover Plate

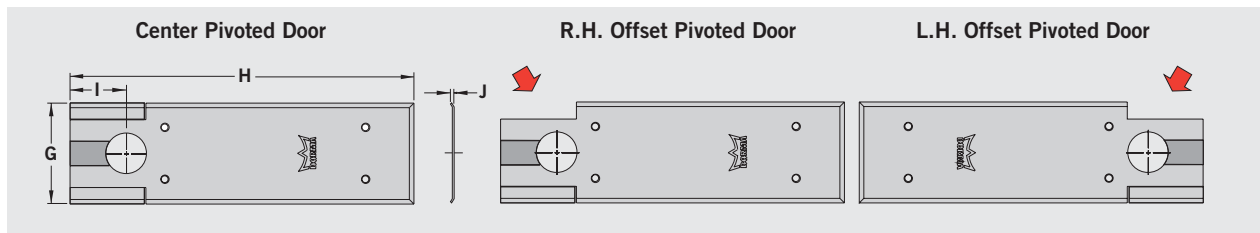
The BTS 75V universal cover plate **7510**, suitable for left hand/right hand, 3/4" offset, 1-1/2" offset, and center pivoted doors.

	G	H	I	J
Inches	4-1/8	12-1/8	2-9/32	3/32
Millimeters	105	308	58	2



The BTS 80 and BTS 80 EMB universal cover plate **7410**, suitable for left hand/right hand, 3/4" offset, 1-1/2" offset, and center pivoted doors.

	G	H	I	J
Inches	4-1/8	14-3/32	2-9/32	3/32
Millimeters	105	358	58	2



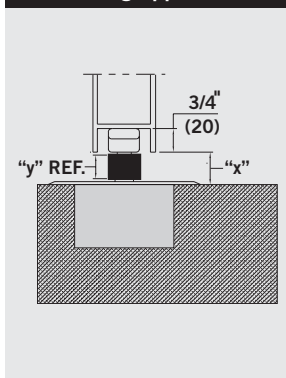
Spindles			
Spindle No.	Dimension "x" (Door Clearance)	3° Pre-load Spindle No.	Dimension "y"
74003	5/16"	80003	1/8"
74005	1/2"	80005	5/16"
74007	5/8"	-	7/16"
(STD) 74010	3/4"	80010	1/2"
74012	13/16"	-	5/8"
74015	7/8"	80015	11/16"
74020	1-1/8"	80020	7/8"
74025	1-5/16"	80025	1"
74030	1-1/2"	80030	1-5/16"
74035	1-11/16"	-	1-1/2"
74040	1-7/8"	-	1-11/16"
74045	2-1/16"	-	1-7/8"
74050	2-5/16"	-	2-1/16"

Extended Spindle Insert

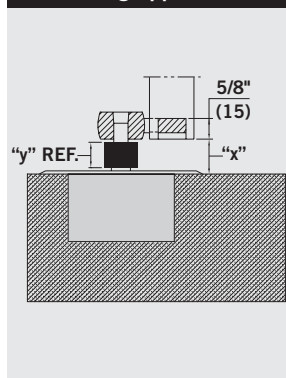
NOTE: Closer and arm must be installed per template for door clearances shown to be valid.

Closers with extended spindle inserts are used with thresholds, carpeted floors, terrazzo pans or in cases where more clearance between door and floor is required. All spindles are zinc plated.

Center Hung Applications



Offset Hung Applications



Pre-load Spindles

Spindles are available with a 3° pre-load for additional pressure to hold door in the closed position. Normally, this is only necessary for center-pivoted single acting applications. However, they can also be used with other applications to compensate for templating errors. Specify hand of pre-load spindle when ordering.



DORMA Group North America

www.dorma-usa.com

DORMA Architectural Hardware

DORMA Drive, Drawer AC
Reamstown, PA 17567-0411
Telephone: (800) 523-8483
Facsimile: (800) 274-9724
E-mail: archdw@dorma-usa.com

DORMA Glas Inc.

375 Prince George's Blvd.
Upper Marlboro, MD 20774
Telephone: (800) 451-0649
Facsimile: (301) 390-0011
E-mail: glas@dorma-usa.com

DORMA Canada

1680 Courtney Park Drive, Unit 13
Mississauga, Ontario L5T 1R4
Telephone: (800) 387-4938
Facsimile: (905) 670-5850
E-mail: sales@dormacanada.com

DORMA Mexico, S. de R.L. de C.V.

Astrónomos 28
Col. Escandón
11800, México, D.F.
Mexico
Telephone: (52+55) 5272-6937
Facsimile: (52+55) 5272-6948
E-mail: dormaoper@prodigy.net.mx