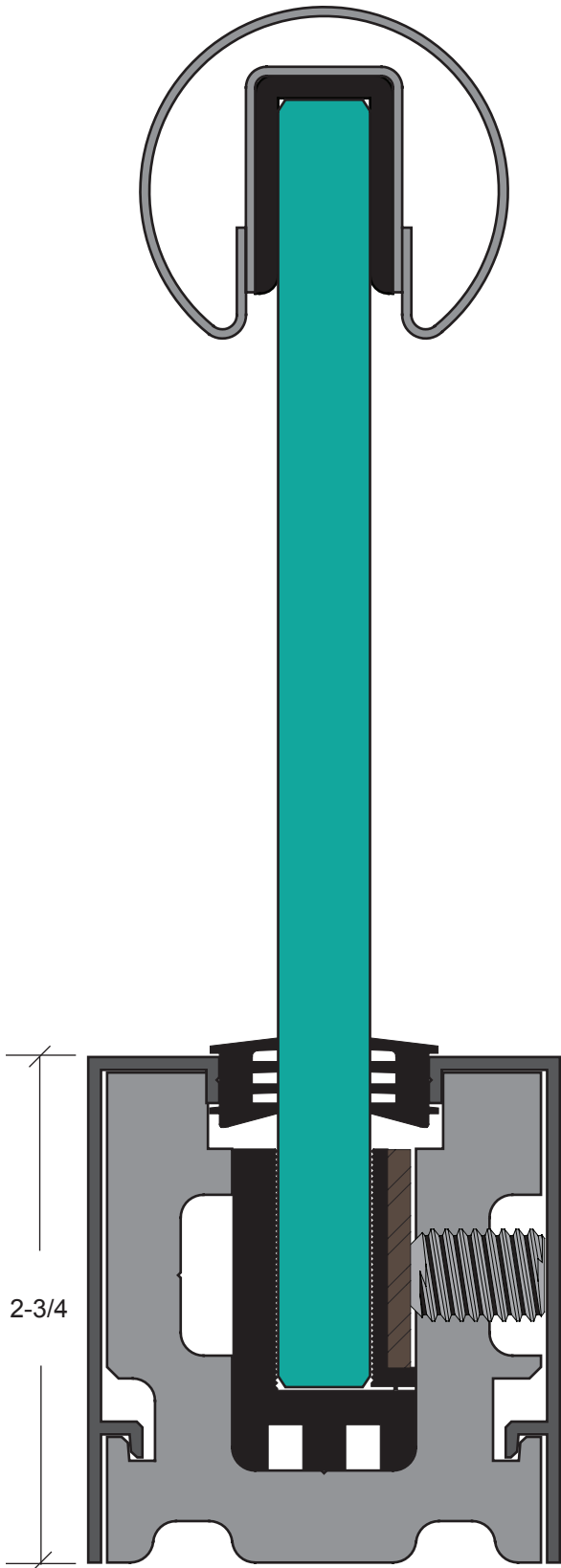
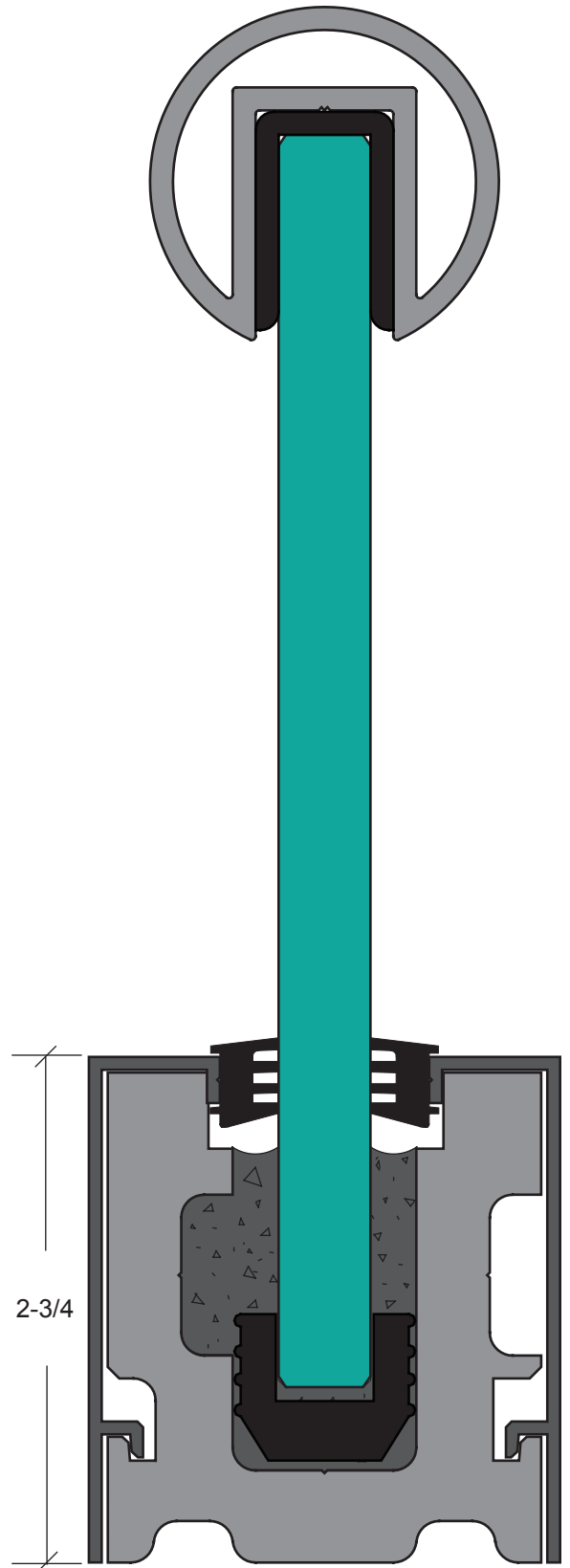


MINI RAPID



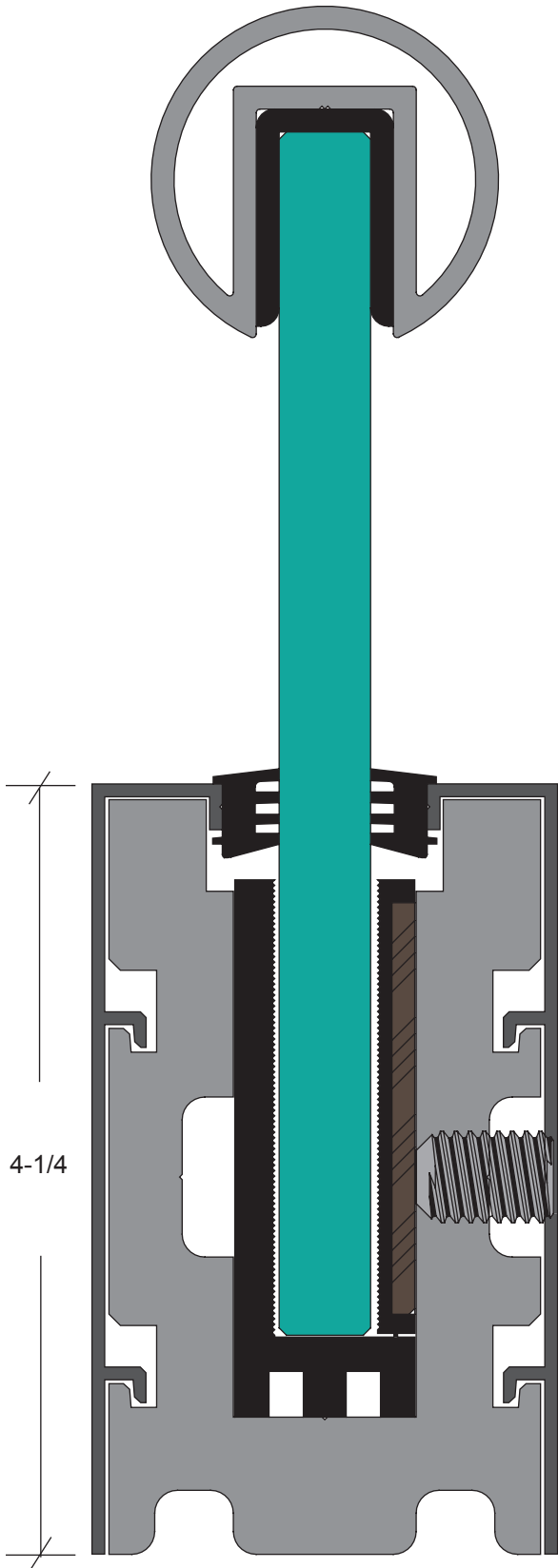
Dry-glazed



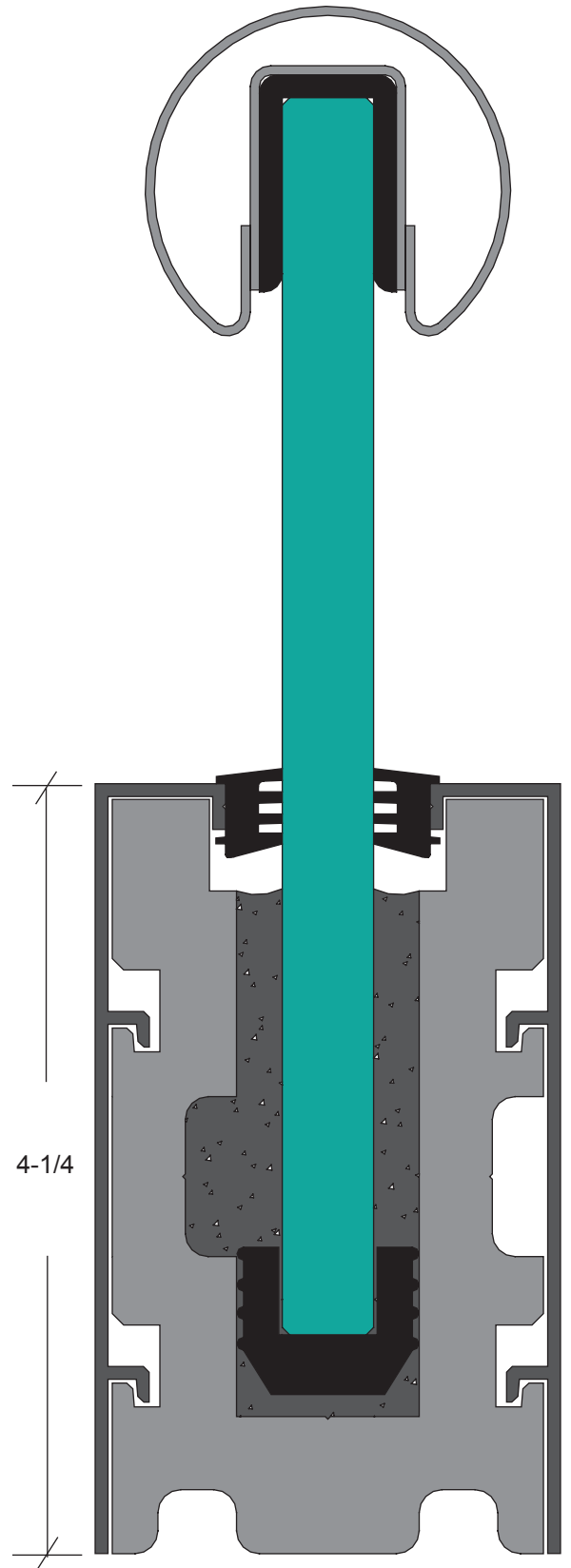
Wet-glazed

RAPID


PRL Glass systems inc.
251 Mason way
City of industry, CA, 91746
Phone: 800-433-7044
Fax: 626-968-9256
www.prlglass.com

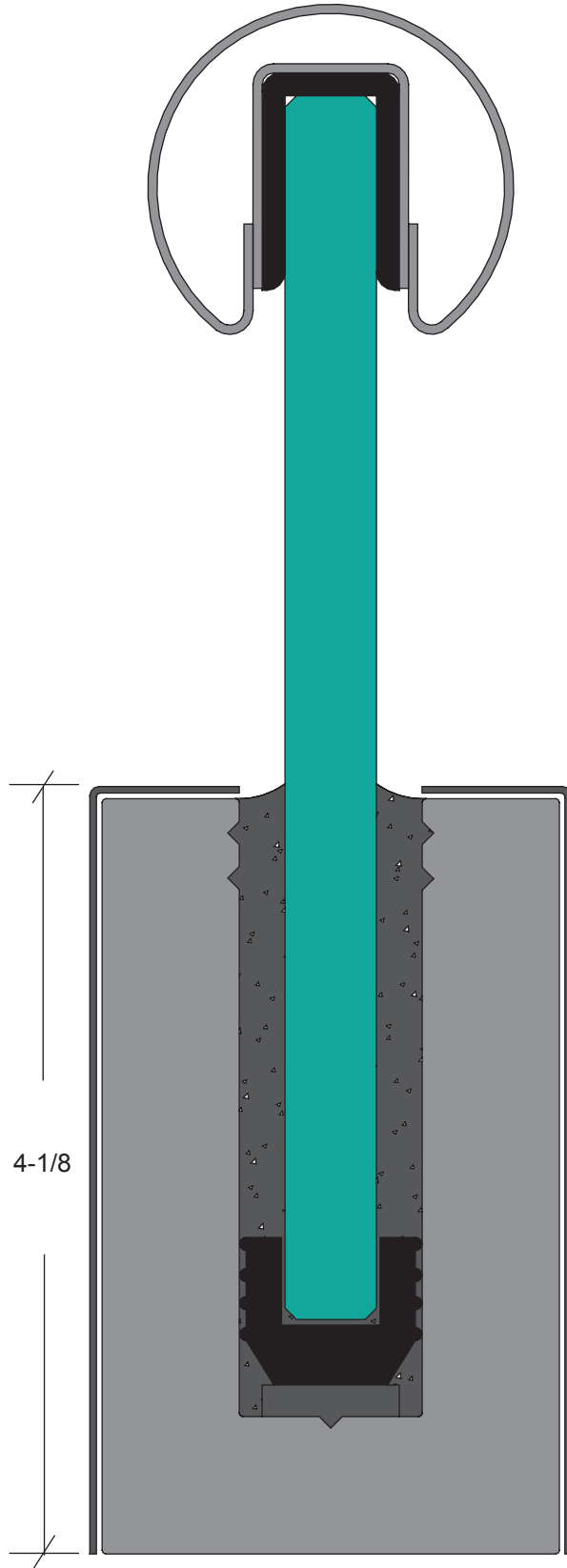


Dry-glazed

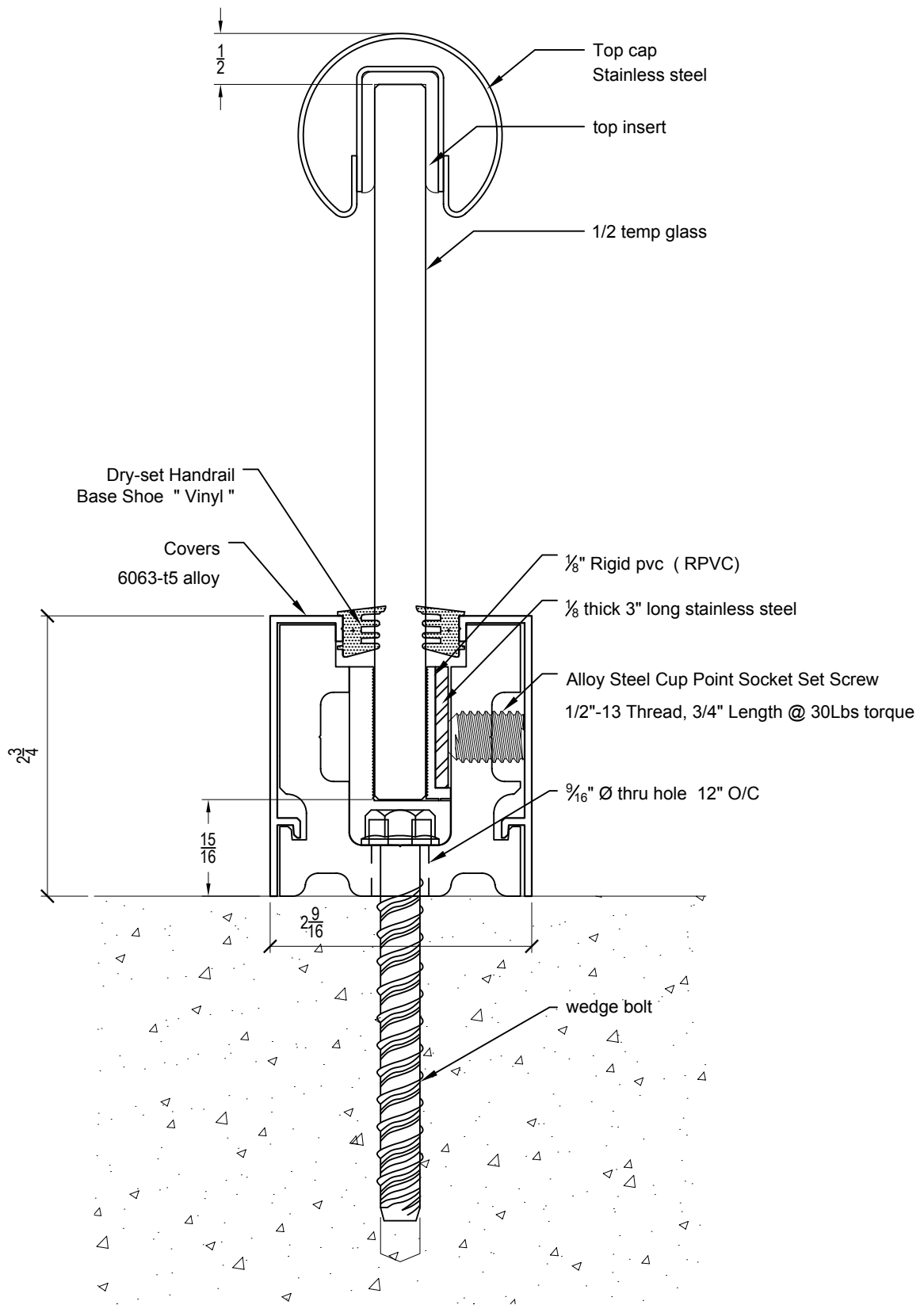


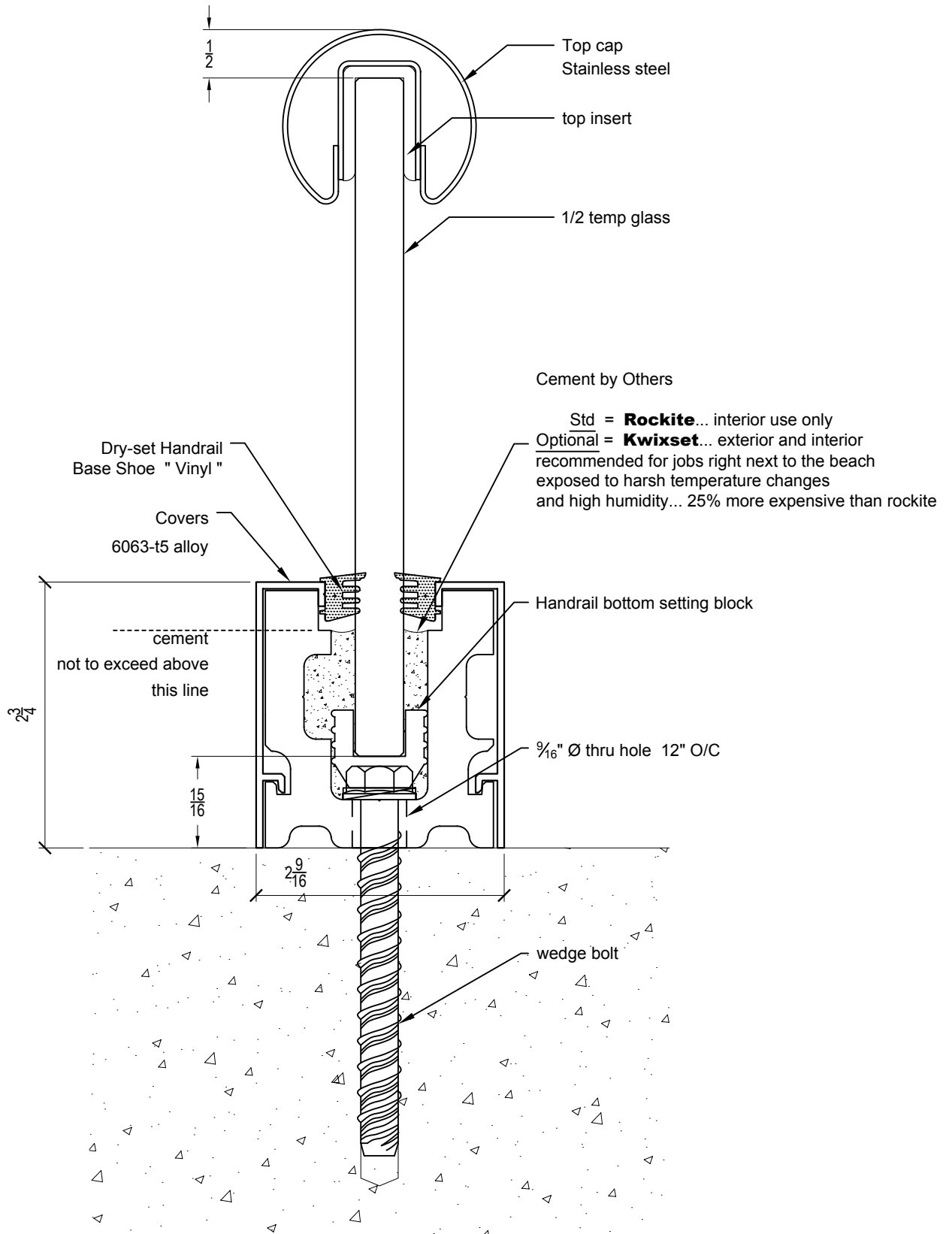
Wet-glazed

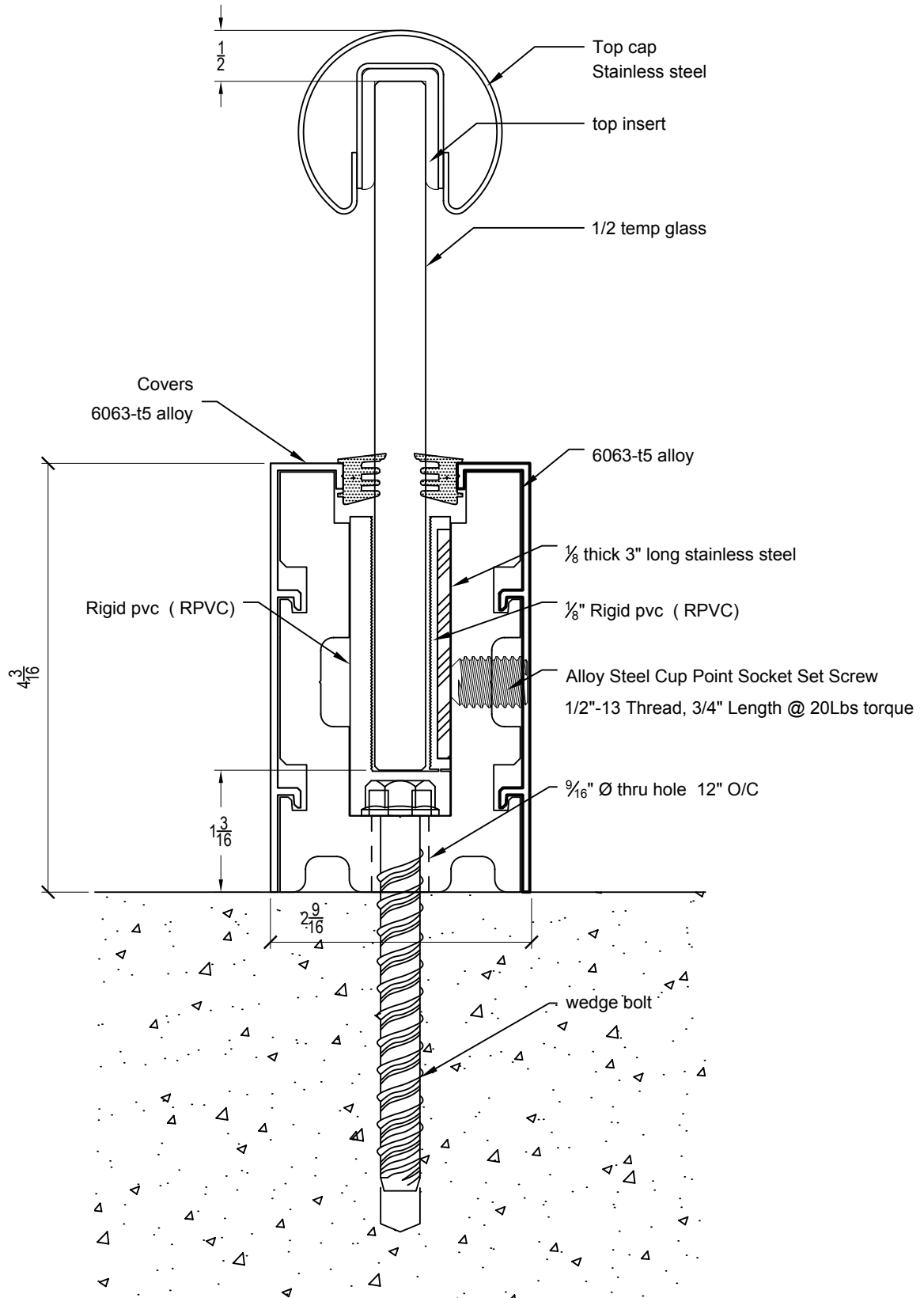
TRADITIONAL

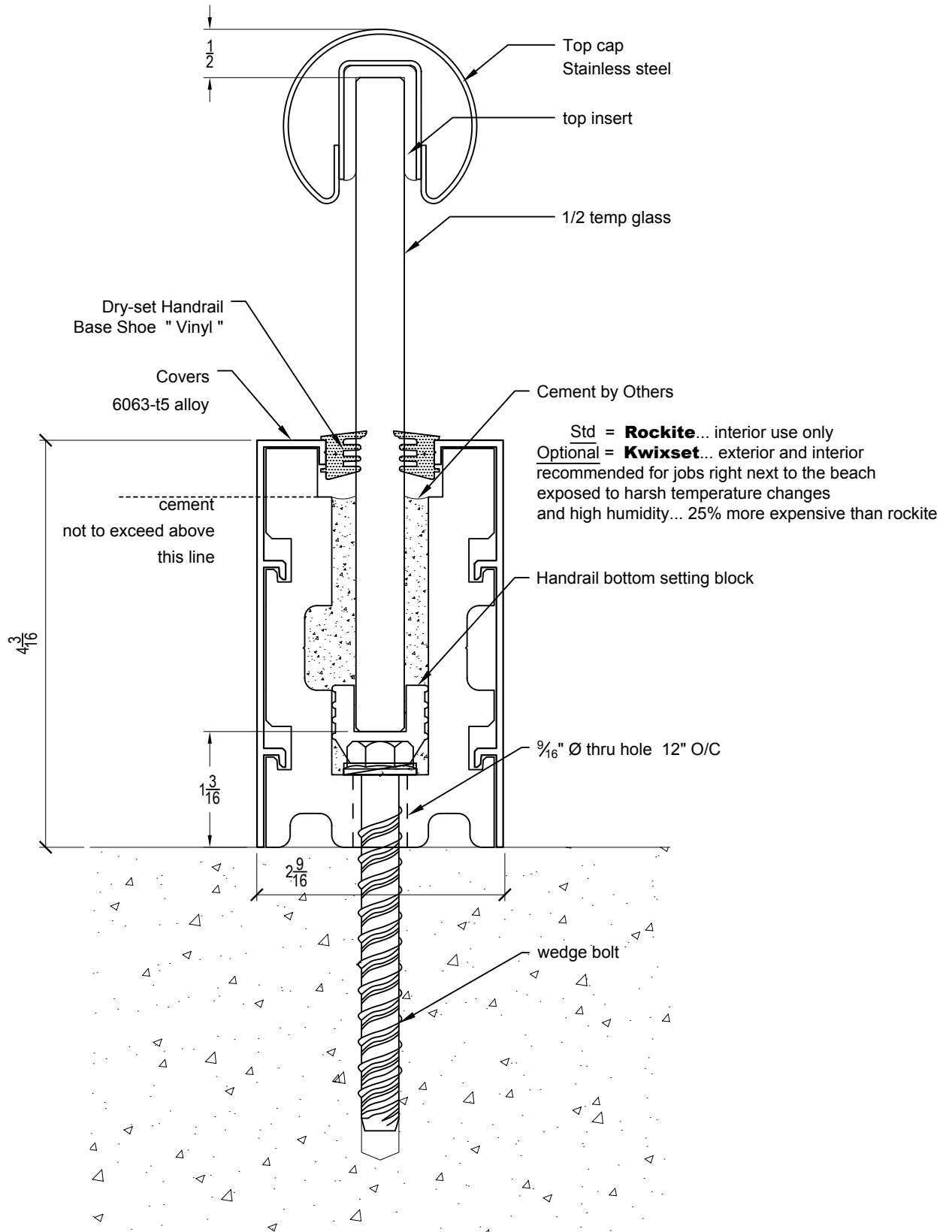


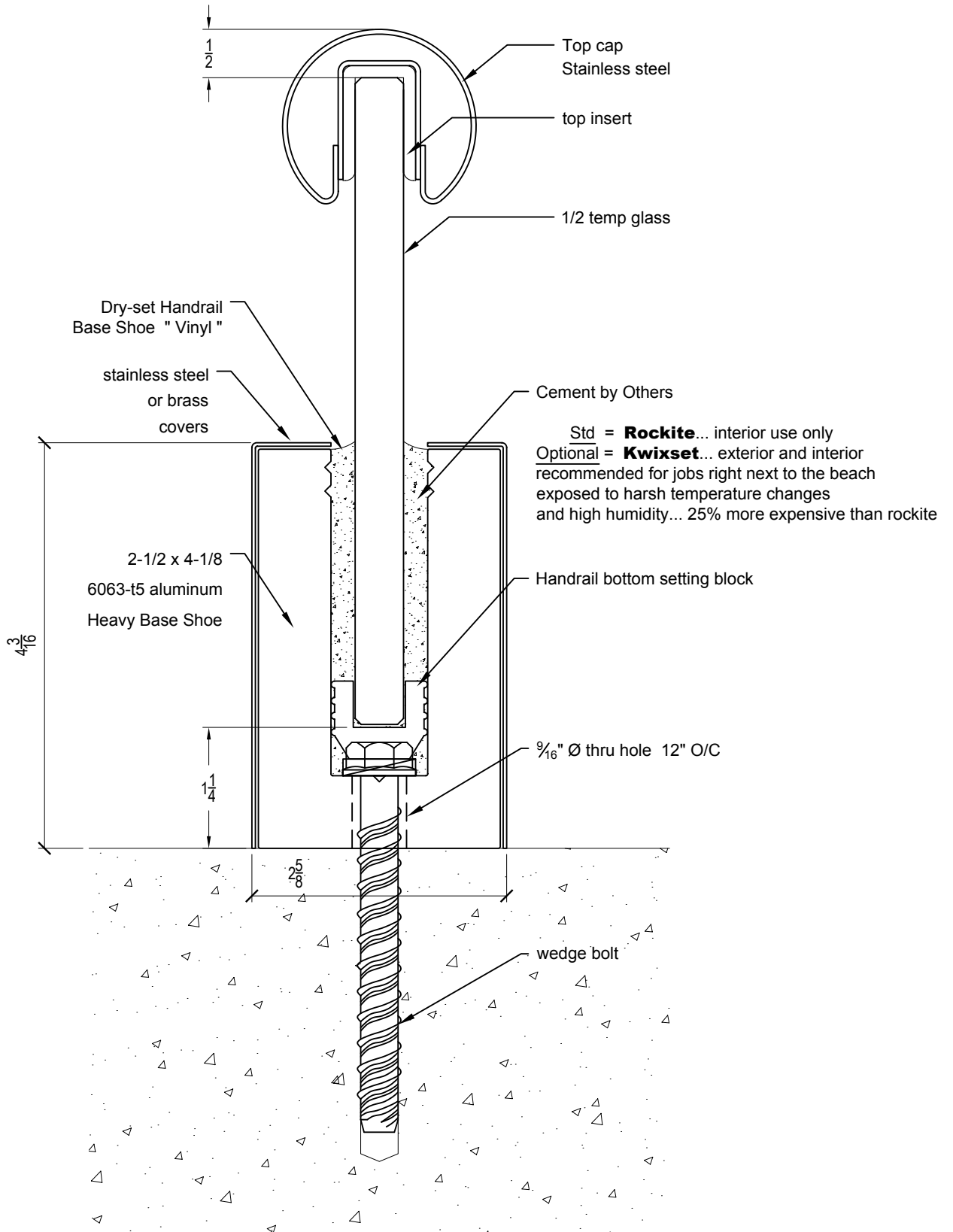
Wet-glazed only

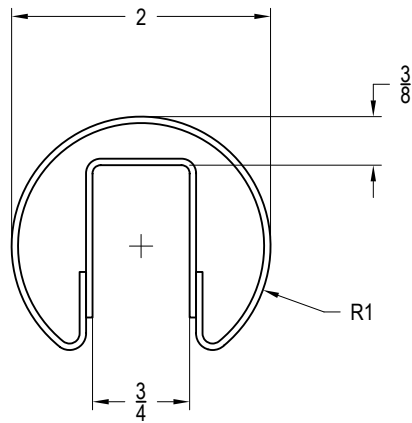


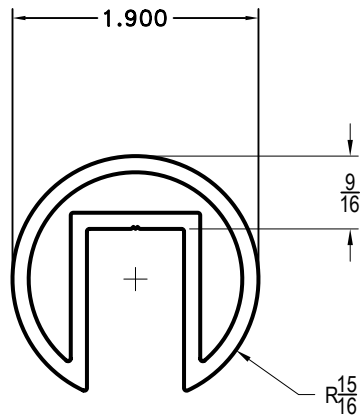


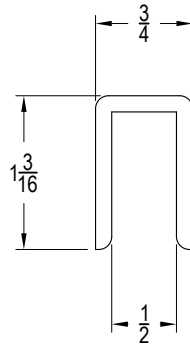


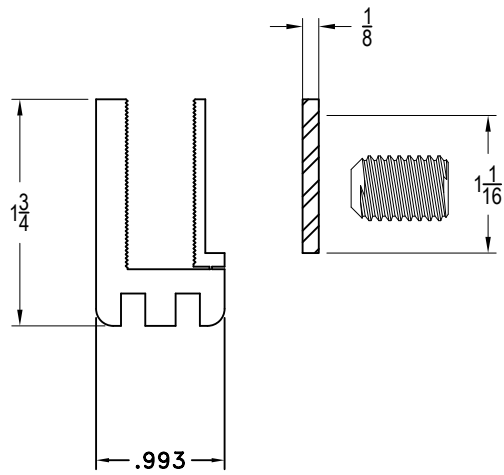


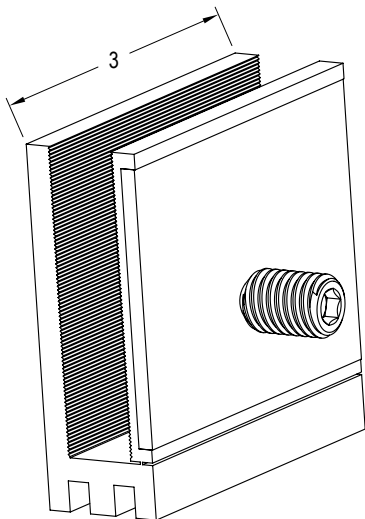
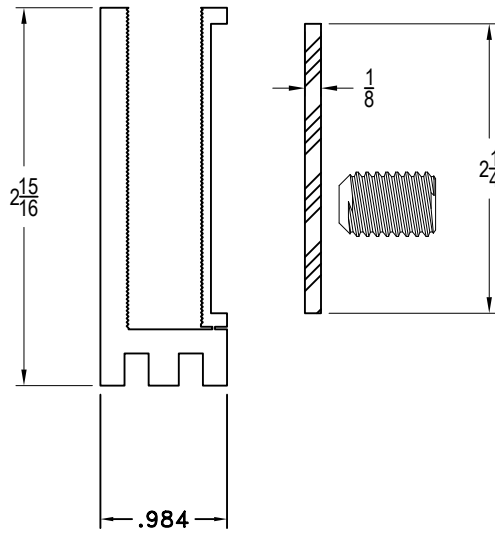












PRL

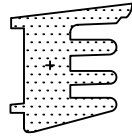
GLASS
SYSTEMS
INC.
Prlglass.com



PLDSHRB844VR1V
Dry-set Handrail Base Shoe " Vinyl "

DWG NO.: HANDRAIL CONFIGURATIONS

DATE: 10-26-10



PRL

GLASS
SYSTEMS
INC.

Prlglass.com



HRBSB
Handrail bottom setting block

DWG NO.: HANDRAIL CONFIGURATIONS

DATE: 5/18/10

